

Operator's Manual



Hedge Trimmer

ATTACHMENT

Model No. 316.792490



- SAFETY
- ASSEMBLY
- OPERATION
- MAINTENANCE
- PARTS LIST
- ESPAÑOL, P. E1

CAUTION: Before using this product, read this manual and follow all safety rules and operating instructions.

Sears, Roebuck and Co., Hoffman Estates, IL 60179, U.S.A.
Visit our website: www.sears.com/craftsman

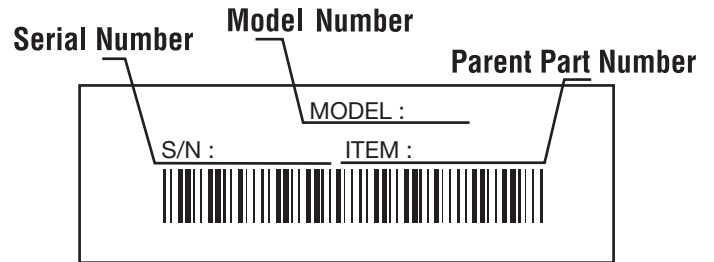
769-03572A

RULES FOR SAFE OPERATION

TABLE OF CONTENTS

Service Information	1
Rules for Safe Operation	2
Warranty Information	4
Know Your Unit	5
Assembly Instructions	5
Operating Instructions	6
Maintenance and Repair Instructions	7
Specifications	7
Parts List	E11

Before beginning, locate the unit's model plate. It lists the model and serial numbers of your unit. Refer to the sample plate below and copy the information for future reference.



Copy the model and parent part number here:

Copy the serial number here:

The purpose of safety symbols is to attract your attention to possible dangers. The safety symbols, and their explanations, deserve your careful attention and understanding. The safety warnings do not by themselves eliminate any danger. The instructions or warnings they give are not substitutes for proper accident prevention measures.

SYMBOL	MEANING
--------	---------

	SAFETY ALERT: Indicates danger, warning or caution. Attention is required in order to avoid serious personal injury. May be used in conjunction with other symbols or pictographs.
--	---

NOTE: Advises you of information or instructions vital to the operation or maintenance of the equipment.

	DANGER: Failure to obey a safety warning will result in serious injury to yourself or to others. Always follow the safety precautions to reduce the risk of fire, electric shock and personal injury.
--	--

SYMBOL	MEANING
--------	---------

	WARNING: Failure to obey a safety warning can result in injury to yourself and others. Always follow the safety precautions to reduce the risk of fire, electric shock and personal injury.
--	--

	CAUTION: Failure to obey a safety warning may result in property damage or personal injury to yourself or to others. Always follow the safety precautions to reduce the risk of fire, electric shock and personal injury.
--	--

Read the Operator's Manual and follow all warnings and safety instructions. Failure to do so can result in serious injury to the operator and/or bystanders.

FOR QUESTIONS, CALL 1-800-659-5917

• IMPORTANT SAFETY INSTRUCTIONS •

READ ALL INSTRUCTIONS BEFORE OPERATING

	WARNING: When using the unit, you must follow the safety rules. Please read these instructions before operating the unit in order to ensure the safety of the operator and any bystanders. Please keep these instructions for later use.
--	---

- Carefully read and understand the operator's manual of the unit that powers this attachment.
- Read this operating instruction manual carefully. Be thoroughly familiar with the controls and the proper use of the equipment. Know how to stop the unit and disengage the controls quickly.
- Do not operate this unit when tired, ill, or under the influence of alcohol, drugs, or medication.
- Never allow children to operate the equipment. Never allow adults unfamiliar with the instructions to use the unit. Never allow adults to operate the equipment without proper instruction.
- All guards and safety attachments must be installed properly before operating the unit.
- Inspect the unit before use. Ensure the blade is installed correctly and secure.
- Clear the area to be hedged before each use. Remove all objects such as rocks, broken glass, nails, wire, or string which can be thrown or become entangled in the hedge trimmer attachment.

SAFETY WARNINGS FOR GAS POWERHEADS AND HEDGE TRIMMERS

	WARNING: Gasoline is highly flammable, and its vapors can explode if ignited. Take the following precautions:
--	--

- Store fuel only in containers specifically designed and approved for the storage of such materials.
- Always stop the engine and allow it to cool before filling the fuel tank. Never remove the cap of the fuel tank, or add fuel, when the engine is hot. Never operate the unit without the fuel cap securely in place. Loosen the fuel tank cap slowly to relieve any pressure in the tank.
- Mix and add fuel in a clean, well-ventilated area outdoors where there are no sparks or flames. Slowly remove the fuel cap only after stopping engine. Do not smoke while fueling or mixing fuel. Wipe up any spilled fuel from the unit immediately.
- Avoid creating a source of ignition for spilled fuel. Do not start the engine until fuel vapors dissipate.
- Move the unit at least 30 feet (9.1 m) from the fueling source and site before starting the engine. Do not smoke. Keep sparks and open flames away from the area while adding fuel or operating the unit.
- Never start or run the unit inside a closed room or building. Breathing exhaust fumes can kill. Operate this unit only in a well ventilated area outdoors.

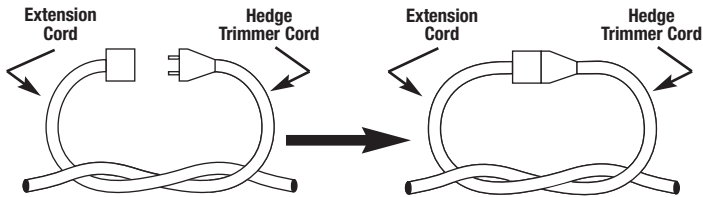
RULES FOR SAFE OPERATION

SAFETY WARNINGS FOR ELECTRIC POWERHEADS AND HEDGE TRIMMERS



WARNING: To reduce the risk of electrical shock, use only extension cords approved for outdoor use, such as an extension cord of cord type SW-A, SOW-A, STW-A, STOW-A, SJW-A, SJOW-A, SJTW-W or SJTOW-A. Extension cords are available from your local retailer. Use only round-jacketed extension cords approved for outdoor use.

- **CORD SETS:** Make sure your cord set is in good condition. When using a cord set, be sure to use a cord that is heavy enough to carry the current that your unit will draw. An undersized cord set will cause a drop in line voltage resulting in loss of power and overheating. See the operator's manual for the unit that will power this add-on for the recommended cord size.
- Inspect all extension cords and the unit power connection periodically. Look closely for deterioration, cuts or cracks in the insulation. Also inspect the connections for damage. Replace the cords if any defects or damage appear.
- Prevent disconnection of the hedge trimmer powerhead from extension cord during operation by using a plug-receptacle retaining strap, connector, or by making a knot as shown below:



DANGER: RISK OF CUT OR SHOCK — Keep hands away from blades. Keep one hand on assist handle on the powerhead and on the loop handle of attachment when power is on. Do not attempt to remove cut material or hold material to be cut when blades are moving. Make sure the switch on the power unit is off when clearing jammed material from blades. Do not grasp the exposed cutting blades or cutting edges of the hedge trimmer. Wear gloves when handling the blade. **Do not operate unit with one hand.**

- Avoid dangerous environments. Never operate your unit in damp or wet conditions. Moisture is a shock hazard.
- Do not use the unit in the rain. Do not use in or around water. Do not use on wet hedges or shrubbery.
- Do not handle the plug or unit with wet hands or standing on any wet surfaces.
- Do not leave the unit plugged in when not in use, changing attachments or add-ons, or while being serviced.

WHILE OPERATING

- Keep all bystanders, especially children and pets, at least 50 ft (15 m) away.
- Wear safety glasses or goggles that are marked as meeting ANSI Z87.1-1989 standards, and ear/hearing protection when operating this unit. Wear a face or dust mask if the operation is dusty.
- Wear heavy long pants, boots, gloves, and a long sleeve shirt. Do not wear loose clothing, jewelry, short pants, sandals, or go barefoot. Secure hair above shoulder level.
- Use the unit only in daylight or good artificial light.
- Use hedge trimmer properly. Only use this tool for the purpose intended. Use only for trimming the type of shrub, growth, etc., described in the operating instructions.

- Do not force unit. It will do the job better and with less likelihood of injury at a rate for which it was designed.
- Use extreme caution when reversing or pulling the unit towards you.
- Do not overreach, take extra care when working on steep slopes or inclines. Always keep proper footing and balance.
- DO NOT stand on an unstable support. Do not use on a ladder.
- Always hold the unit with both hands when operating. Keep a firm grip on both the front and rear handle or grips.
- Keep hands, face, and feet at a distance from all moving parts. Do not touch or try to stop the blades when they are moving.



CAUTION: Blades will coast after the powerhead is in the "OFF" position.

- Do not operate the engine faster than the speed needed to do the job. Do not run the engine at high speed when not in use.
- Always stop the engine/motor when operation is delayed or when walking from one location to another.
- Stop the engine/motor for maintenance, repair, to install or remove the blades. The unit must be stopped and the blades no longer moving to avoid injury.
- Always wear heavy gloves when handling, removing, installing or cleaning the blades.
- If you strike or become entangled with a foreign object, stop the engine/motor immediately and check for damage. Have any damage repaired before attempting further operations.
- Stop the unit IMMEDIATELY if you feel excessive vibration. Vibration is a sign of trouble. Inspect thoroughly for loose nuts, bolts or damage before continuing. Repair or replace affected parts as necessary.
- Stop and switch the unit to off for maintenance, repair, or for changing add-ons or other attachments.
- Maintain hedge trimmer with care. Keep blades sharp at all times, and clean for best and safest performance. Follow maintenance instructions. Always use a clean cloth when cleaning. Never use brake fluid, gasoline, petroleum-based products, or any strong solvents to clean your unit.
- Use only genuine Sears replacement parts and accessories for this unit. These are available from your authorized service dealer. Use of any non- Sears parts or accessories could lead to serious injury to the user or damage to the unit, and void your warranty.

OTHER SAFETY WARNINGS

- Allow the unit to cool before storing or transporting. Be sure to secure the unit while transporting.
- Store the unit in a locked up and dry or high and dry place to prevent unauthorized use or damage, out of the reach of children.
- Never douse or squirt the unit with water or any other liquid. Keep handles dry, clean and free from debris. Clean after each use.
- Keep these instructions. Refer to them often and use them to instruct other users. If you loan someone this unit, also loan them these instructions.
- Only qualified personnel should perform any repairs or maintenance procedures that are not described in this manual.
- Always refer to the Operator's Manual instructions for important details if the unit is to be stored for an extended period.
- Do not attempt to repair the machine unless you have the proper tools, and instructions for disassembly and repair of the machine.

SAVE THESE INSTRUCTIONS

RULES FOR SAFE OPERATION

• SAFETY AND INTERNATIONAL SYMBOLS •

This operator's manual describes safety and international symbols and pictographs that may appear on this product. Read the operator's manual for complete safety, assembly, operating and maintenance and repair information.

SYMBOL MEANING

	<ul style="list-style-type: none"> • SAFETY ALERT SYMBOL <p>Indicates danger, warning or caution. May be used in conjunction with other symbols or pictographs.</p>
	<ul style="list-style-type: none"> • READ OPERATOR'S MANUAL <p>WARNING: Read the operator's manual(s) and follow all warnings and safety instructions. Failure to do so can result in serious injury to the operator and/or bystanders.</p>
	<ul style="list-style-type: none"> • HOT SURFACE <p>WARNING: Do not touch a hot surface. You may get burned. These parts get extremely hot from operation. They remain hot for a short time after the unit is turned off.</p>

SYMBOL MEANING

	<ul style="list-style-type: none"> • WEAR EYE AND HEARING PROTECTION <p>WARNING: Thrown objects and loud noise can cause severe eye injury and hearing loss. Wear eye protection meeting ANSI Z87.1-1989 standards and ear protection when operating this unit. Use a full face shield when needed.</p>
	<ul style="list-style-type: none"> • KEEP HANDS AWAY FROM BLADES. MOVING BLADES CAN CAUSE SEVERE INJURY. <p>Do not put hands on blades when starting the engine or while operating hedge trimmer attachment.</p>
<p>Min. 50ft (15m)</p> 	<ul style="list-style-type: none"> • KEEP BYSTANDERS AWAY <p>WARNING: Keep all bystanders, especially children and pets, at least 50 feet (15 m) from the operating area.</p>

WARRANTY STATEMENT

CRAFTSMAN FULL WARRANTY

If this Craftsman product fails due to a defect in material or workmanship within one year from the date of purchase, return it to any Sears store or other Craftsman outlet in the United States for free replacement.

This warranty applies for only 90 days if this product is ever used for commercial or rental purposes.

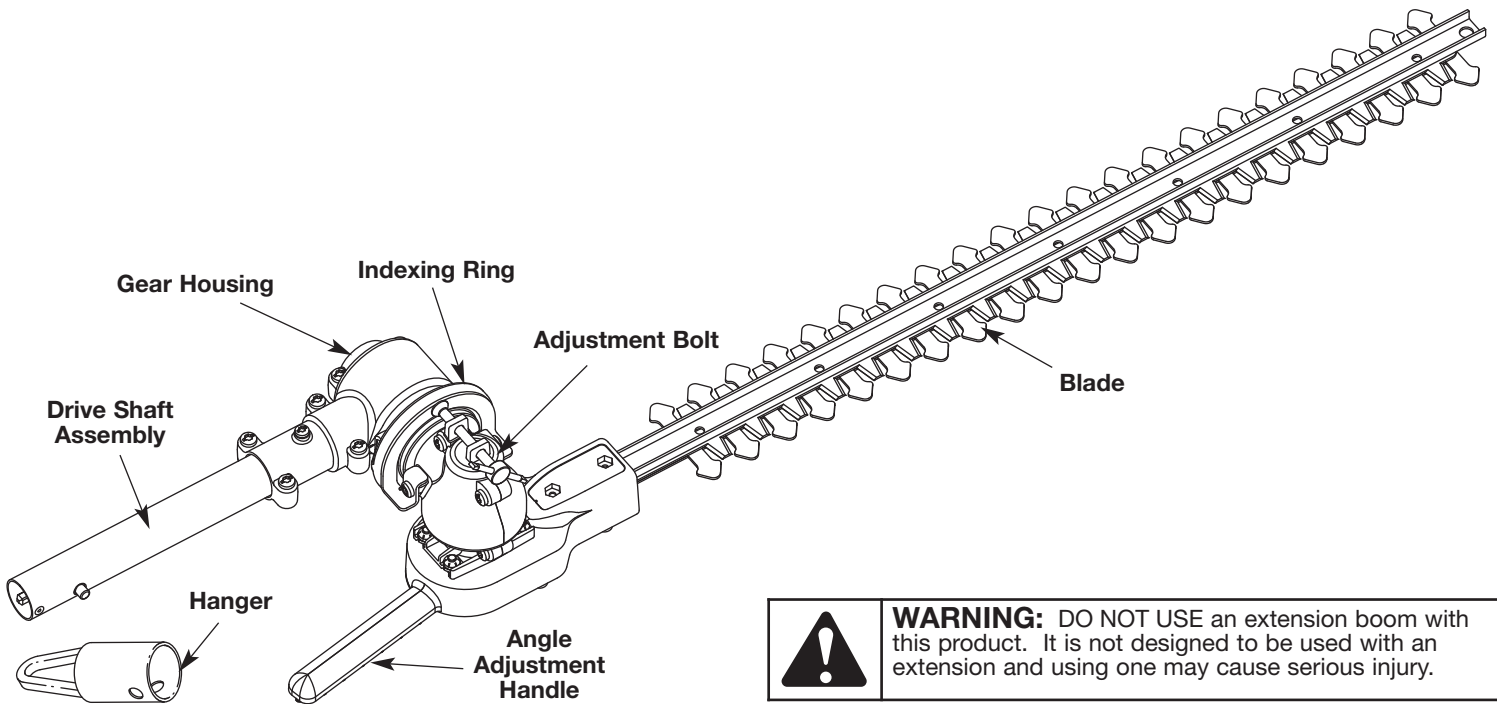
This warranty covers ONLY defects in material and workmanship. Sears will NOT pay for:

- Expendable items which can wear out from normal use within the warranty period.
- Repairs necessary because of accident or failure to operate or maintain the product according to all supplied instructions.

This warranty gives you specific legal rights, and you may also have other rights which vary from state to state.

Sears, Roebuck and Co., Hoffman Estates, IL 60179

KNOW YOUR UNIT



WARNING: DO NOT USE an extension boom with this product. It is not designed to be used with an extension and using one may cause serious injury.

ASSEMBLY INSTRUCTIONS

INSTALLING / REMOVING THE ATTACHMENT



WARNING: Read and understand operator's manual for unit to be used with this attachment prior to operation.



WARNING: To avoid serious personal injury and damage to the unit, shut unit off before removing or installing attachments.

Installing the attachment:

NOTE: To make installing or removing the attachment easier, place the unit on the ground or on a work bench.

1. Remove the hanger from the top of the shaft housing.
2. Turn knob counterclockwise to loosen (Fig. 1).

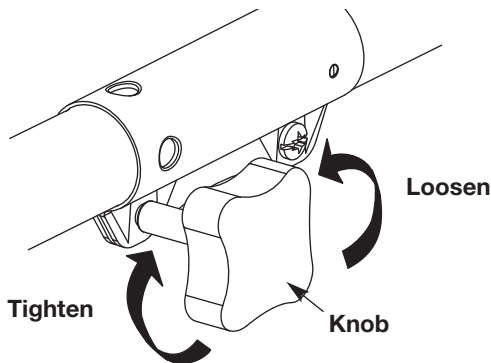


Fig. 1

3. While firmly holding the attachment, push it straight into the coupler until the release button snaps firmly into the primary hole (Fig. 2).

NOTE: Aligning the release button with the guide recess will help installation (Fig. 3).



CAUTION: Lock the release button in the primary hole (Fig. 2) and securely tighten the knob before operating this unit.

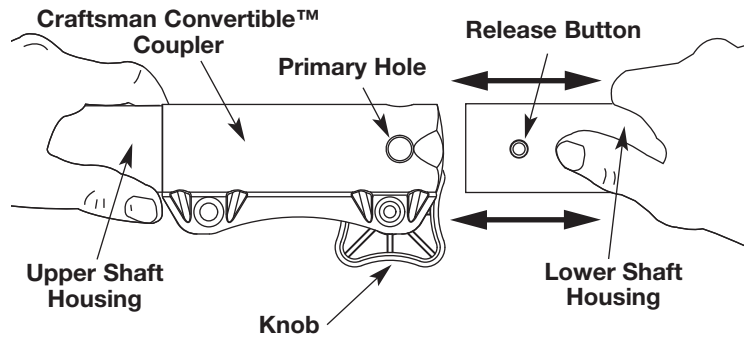


Fig. 2

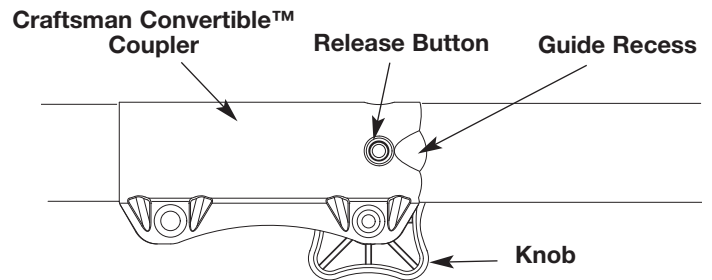


Fig. 3

4. Turn the knob clockwise to tighten (Fig. 1).



CAUTION: The attachments with the coupler system are to be used in the primary hole only. Using the wrong hole could lead to personal injury or damage to the unit.

ASSEMBLY INSTRUCTIONS

Removing the attachment:

1. Turn the knob counterclockwise to loosen (Fig. 1).
2. Press and hold the release button (Fig. 2).
3. While firmly holding the upper shaft housing, pull the hedge trimmer attachment out of the coupler (Fig. 2).

Check Coupler Engagement Prior to Use

1. Start the unit.
2. Briefly engage and release the trigger.
3. Check that attachment is operating.
4. If the attachment is not operating, remove attachment and repeat steps for installing the attachment.
5. Recheck operation of attachment.

OPERATING INSTRUCTIONS

BEFORE OPERATING

WARNING: Dress properly to reduce the risk of injury when operating this unit. Do not wear loose clothing or jewelry. Wear eye and ear/hearing protection. Wear heavy long pants, boots and gloves. Use a full face shield when needed. Secure hair above shoulder level.

WARNING: Make sure the unit is powered off before adjusting the trimming angle.

Adjust the angle of the trimmer to suit the area you are trimming; adjust the blade angle based on the situation. Adjust the blade as follows:

1. Grasp the adjustment bolt (Fig. 4) and turn counterclockwise to unscrew the bolt from the hole in the indexing ring.

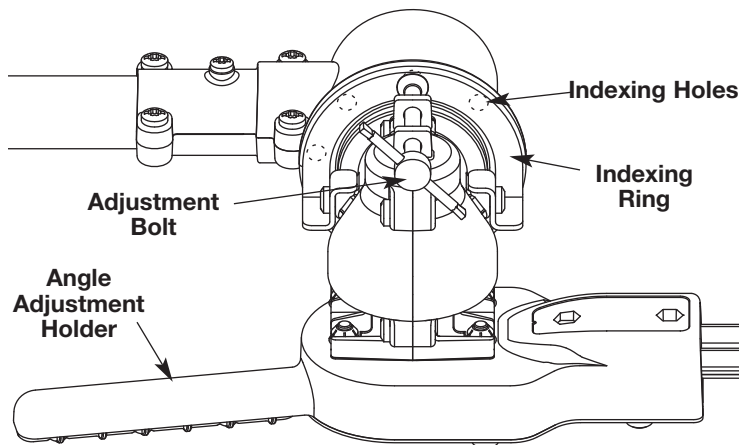


Fig. 4

2. Rotate the blade to the desired position using the angle adjustment holder.
3. Align the adjustment bolt with the appropriate indexing hole.
4. Screw the bolt into the indexing hole clockwise until hand-tight to secure the blade. DO NOT OVERTIGHTEN.

WARNING: Before each use, and periodically during use, check to make sure that the adjustment bolt is properly tightened.

WARNING: If operating the unit on a slope, stand below the cutting attachment. DO NOT operate on a slope or hilly incline if there is the slightest chance of slipping or losing your footing.

WARNING: If any parts are missing, damaged, or broken, do not operate your hedge trimmer until they have been replaced. Failure to do so could result in possible serious personal injury.

WARNING: Keep hands and fingers away from moving parts. Any part of body coming in contact with moving parts could result in serious injury.

DANGER: If the blade jams on any electrical cord or line, DO NOT TOUCH THE BLADE. It can become ELECTRICALLY LIVE and VERY DANGEROUS. Release the unit in the safest manner possible, and turn off the power source.

OPERATING TIPS

- To trim new growth, use a wide sweeping motion, feeding the blade teeth through the hedge or twigs. The most effective cutting is achieved with a slight downward tilt of the blade.
- Wear gloves when trimming thorny or prickly growth. When trimming new growth, use a wide sweeping action, so that the stems are fed directly into the cutting blade. Older growth will have thicker stems and will be trimmed easiest by using a sawing movement.
- Do not try to cut stems that are larger than 7/16 inches (11 mm) thick. Use a non-powered hand saw or pruning saw to trim large stems.
- If desired, you can use a string to help cut your hedge level. Decide how high you want the hedge. Then, stretch a piece of string along the hedge at this height. Trim the hedge just above this guide line of string. Trim the side of a hedge so that it will be slightly narrower at the top. More of the hedge will be exposed when shaped this way, and be more uniform (Fig. 5).
- To trim the sides of hedges, hold the hedge trimmer at the bottom and sweep upwards.

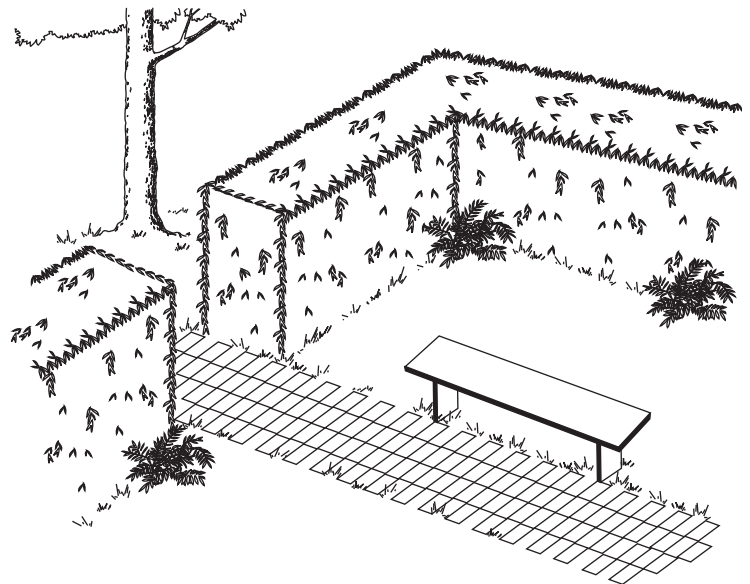


Fig. 5

MAINTENANCE AND REPAIR INSTRUCTIONS

LUBRICATING BLADE



WARNING: Before maintenance, be sure your hedge trimmer is disconnected from the power supply. Failure to do so can result in accidental starting, causing serious personal injury.

1. For easier operation and longer blade life, lubricate the hedge trimmer attachment blade before and after each use. Before lubricating, be sure the powerhead is turned OFF. Apply light machine oil along the edge of the top blade strap (Fig. 6).

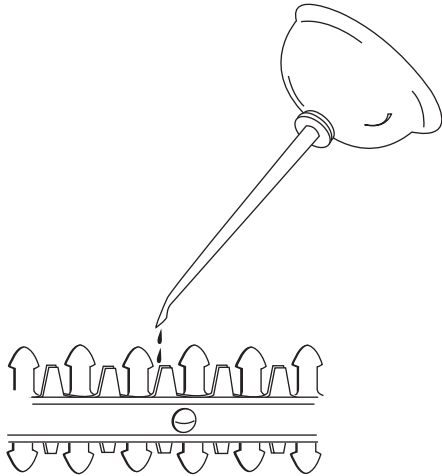


Fig. 6

2. Occasionally, you should oil your hedge trimmer attachment during use. Before oiling, stop the engine, then oil. You then can resume trimming. Do not oil while hedge trimmer attachment is running.

OTHER MAINTENANCE

1. The cutting blades are made from high quality, hardened steel and with normal usage, they will not require resharpener. However, if you accidentally hit a wire fence, stones, glass or other hard objects, you may put a nick in the blade. There is no need to remove this nick as long as it does not interfere with the movement of the blade. If it does interfere, turn the powerhead off and use a fine toothed file or sharpening stone to remove the nick.
2. If you drop the trimmer, carefully inspect it for damage. If the blade is bent, housing cracked, or handles broken or if you see any other condition that may affect the trimmer's operation contact a Sears or another qualified service dealer for repairs before putting it back into use.
3. Fertilizers and other garden chemicals contain agents which greatly accelerate the corrosion of metals. Do not store the tool on or adjacent to fertilizers or chemicals.
4. With the unit powered off (and the spark plug disconnected), use only mild soap and a damp cloth to clean the tool. Never let any liquid get inside the tool; never immerse any part of the tool into a liquid.

NOTE: To assure product SAFETY and RELIABILITY, repairs, maintenance and adjustments should be performed by a Sears or another qualified service dealer using identical replacement parts.

SPECIFICATIONS

Approximate Operating Weight of Attachment	5.11 lbs. (2.3 kg)
Blade Length	22" (558.8 mm)

NEED MORE HELP?

You'll find the answer and more on managemyhome.com – for free!

- Find this and all your other product manuals online.
- Get answers from our team of home experts.
- Get a personalized maintenance plan for your home.
- Find information and tools to help with home projects.

manage my home

brought to you by Sears

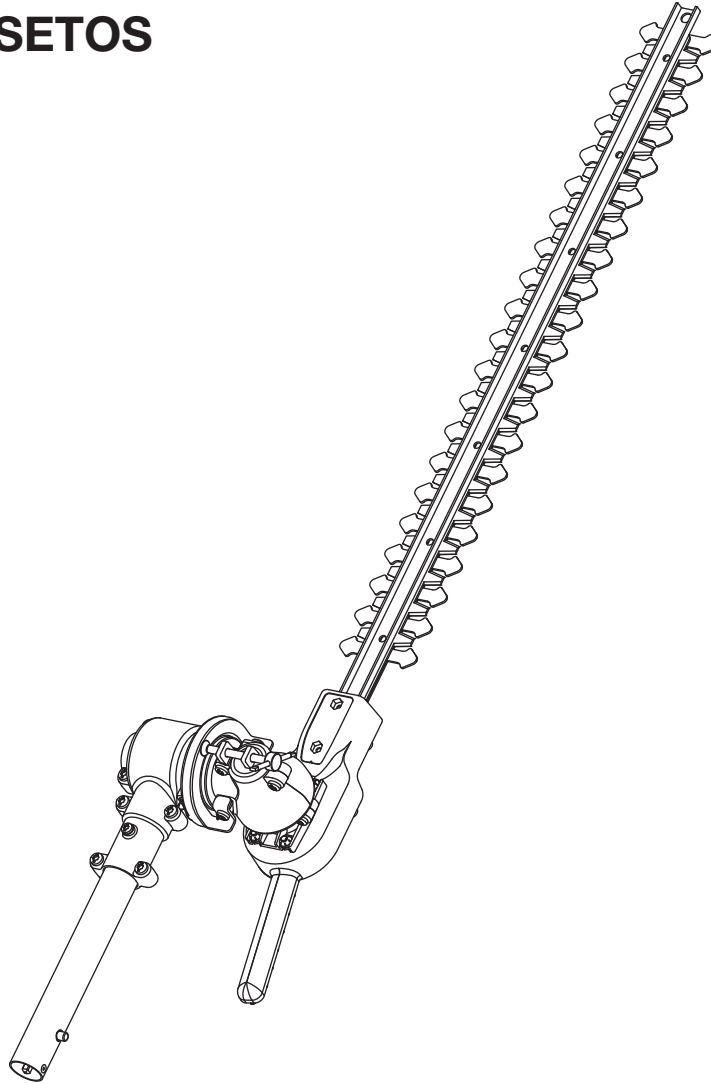
Manual del Operador

CRAFTSMAN®

Accesorio de

RECORTADOR DE SETOS

Modelo No. 316.792490



- SEGURIDAD
- ENSAMBLE
- OPERACIÓN
- MANTENIMIENTO
- LISTA DE PIEZAS

PRECAUCIÓN: Antes de utilizar este producto, lea este manual y siga todas las reglas de seguridad y las instrucciones de funcionamiento.

Sears, Roebuck and Co., Hoffman Estates, IL 60179, U.S.A.
Visite nuestro sitio web: www.sears.com/craftsman

769-03572A

NORMAS PARA UNA OPERACION SEGURA

INDICE DE CONTENIDOS

Llamadas a apoyo al cliente	E1
Normas para una operación segura	E2
Garantía	E4
Conozca su unidad	E5
Instrucciones de ensamble	E5
Instrucciones de operación	E6
Instrucciones de mantenimiento	E7
Especificaciones	E7
Lista de piezas	E11

Antes de que empiece a ensamblar su nuevo equipo, por favor ubique la placa que contiene el modelo de la unidad y escriba esa información en el espacio en blanco aquí debajo. Aquí debajo se explica la muestra de una placa del modelo.



Copiez le numéro de modèle / pièce mère ici :

Copiez le numéro de série ici :

Los símbolos de seguridad se utilizan para llamar su atención sobre posibles peligros. Los símbolos de seguridad y sus explicaciones merecen toda su atención y comprensión. Los símbolos de seguridad no eliminan ningún peligro por sí mismos. Las instrucciones o advertencias que ofrecen no substituyen las medidas adecuadas de prevención de accidentes.

SIMBOLO SIGNIFICADO

	ALERTA DE SEGURIDAD: Indica peligro, advertencia o precaución. Debe prestar atención para evitar sufrir graves lesiones personales. Puede ser utilizado junto con otros símbolos o figuras.
--	--

NOTA: Le ofrece información o instrucciones que son esenciales para la operación o mantenimiento del equipo.

	PELIGRO: El no obedecer una advertencia de seguridad puede conducir a que usted u otras personas sufran graves lesiones. Siga siempre las precauciones de seguridad para reducir el riesgo de incendio, descarga eléctrica y lesiones personales.
--	--

SIMBOLO SIGNIFICADO

	ADVERTENCIA: El no seguir una advertencia de seguridad puede conducir a que usted u otras personas sufran lesiones. Siga siempre las precauciones de seguridad para reducir el riesgo de incendio, descarga eléctrica y lesiones personales.
--	---

	PRECAUCIÓN: El no seguir una advertencia de seguridad puede conducir a daño patrimonial o a que usted u otras personas sufran lesiones personales. Siga siempre las precauciones de seguridad para reducir el riesgo de incendio, descarga eléctrica y lesiones personales.
--	--

Lea el manual del operador y siga todas las advertencias e instrucciones de seguridad. De no hacerlo, el operador y/o los espectadores pueden sufrir graves lesiones.

SI TIENE PREGUNTAS, LLAME AL 1-800-659-5917

• IMPORTANTE INFORMACION DE SEGURIDAD •

LEA TODAS LAS INSTRUCCIONES ANTES DE LA OPERACIÓN

	ADVERTENCIA: Al utilizar la unidad, debe observar las reglas de seguridad. Lea estas instrucciones antes de operar la unidad a fin de garantizar la seguridad del operador y cualquier transeúnte. Guarde estas instrucciones para uso posterior.
--	--

- Lea cuidadosamente y entienda el manual del operador de la unidad que impulsa a este acople.
- Lea este manual de instrucciones de funcionamiento detenidamente. Familiarícese completamente con los controles y el uso apropiado del equipo. Sepa cómo apagar la unidad y desactivar los controles con rapidez.
- No opere esta unidad si está cansado, enfermo, o bajo los efectos del alcohol, drogas o medicamentos.
- Nunca permita que los niños manejen el equipo. Nunca permita que los adultos usen la unidad cuando no estén familiarizados con las instrucciones. Nunca permita que las personas adultas manejen el equipo si no cuentan con las instrucciones apropiadas.
- Se debe instalar adecuadamente todos los protectores y dispositivos de seguridad antes de hacer funcionar la unidad.
- Inspeccione la unidad antes de usarla. Compruebe que la cuchilla esté instalada correctamente y que esté segura.
- Despeje el área que va a cortar antes de cada uso. Quite todos los objetos tales como piedras, vidrios quebrados, clavos, alambre o cuerdas que puedan ser lanzados o que se puedan enredar en el aditamento de la cortadora de setos.

ADVERTENCIAS DE SEGURIDAD ESPECIALES PARA LAS UNIDADES MOTRICES Y RECORTADOR DE SETOS A GASOLINA

	ADVERTENCIA: La gasolina es muy inflamable y sus gases pueden explotar si se encienden. Tome las siguientes precauciones:
--	--

- Guarde el combustible en envases que hayan sido diseñados y aprobados especialmente para el almacenamiento de dichos materiales.
- Antes de llenar el tanque de combustible, apague siempre el motor y espere que se enfríe. No quite nunca la tapa del tanque de combustible ni abastezca combustible mientras el motor esté caliente. No opere nunca la unidad sin la tapa del combustible puesta firmemente en su lugar. Afloje la tapa del combustible lentamente para disipar la presión del tanque.
- Mezcle y abastezca el combustible en un área exterior, limpia y bien ventilada donde no haya chispas ni llamas. Quite lentamente la tapa del combustible sólo después de apagar el motor. No fume mientras abastezca o mezcle el combustible. Limpie de inmediato todo el combustible que se haya derramado.
- Evite crear una fuente de encendido por combustible derramado. No arranque el motor hasta que se hayan disipado los vapores del combustible.
- Aleje la unidad a por lo menos 30 pies (9.1 m) del lugar y fuente de abastecimiento de combustible antes de arrancar el motor. No fume, mantenga las chispas y las llamas abiertas lejos del área mientras abastece el combustible u opere la unidad.

NORMAS PARA UNA OPERACIÓN SEGURA

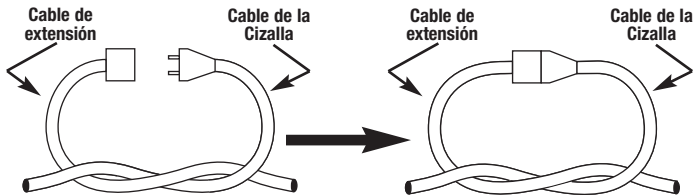
- No arranque ni opere la unidad en una sala o edificio cerrado. Los gases de escape de monóxido de carbono pueden ser letales en un área cerrada. Opere esta unidad sólo en un área exterior bien ventilada.

ADVERTENCIAS DE SEGURIDAD ESPECIALES PARA LAS UNIDADES MOTRICES Y RECORTADOR ELÉCTRICO DE SETOS



ADVERTENCIA: Para reducir el riesgo de descarga eléctrica, use sólo cables de extensión aprobados para ser usados en exteriores, como los cables de extensión tipo SW-A, SOW-A, STW-A, STOW-A, SJW-A, SJOW-A, SJTW-W o SJTOW-A. Puede adquirir cables de extensión en su distribuidor local. Use sólo cables de extensión de camisa cilíndrica aprobados para ser usados en exteriores.

- **CABLES DE EXTENSIÓN:** Verifique que su cable de extensión esté en buenas condiciones. Cuando utilice un cable de extensión, verifique que el mismo sea lo suficientemente grueso para conducir la corriente que consume la unidad. Si utiliza un cable demasiado delgado, eso ocasionará una caída de voltaje de la línea, y en consecuencia, una pérdida de potencia y recalentamiento. Lea el manual del operador de la unidad que accionará este accesorio para informarse acerca del tamaño recomendado de cable de extensión.
- Inspeccione con frecuencia todos los cables de extensión y la conexión de la unidad a la corriente. Revise con cuidado para ver si hay deterioros, cortes o grietas en el aislamiento. Inspeccione también las conexiones para ver si han sufrido daños. Cambie los cables si observa algún defecto o daño.
- Evite la desconexión del cable de extensión del cabezal motorizado de la cortadora de setos durante el funcionamiento, utilizando un retenedor de enchufe-receptáculo, conector o haciendo un nudo como se muestra aquí debajo:



PELIGRO: PELIGRO DE CORTE O DESCARGA - Mantenga las manos lejos de las cuchillas. Mantenga una mano en el mango auxiliar del cabezal motorizado y en el mango curvo del aditamento cuando la unidad esté prendida. No intente quitar el material cortándolo ni sostener el material a cortar cuando las cuchillas estén en movimiento. Compruebe que el interruptor de la unidad motorizada esté apagado cuando despeje el material atascado en las cuchillas. No agarre las cuchillas expuestas o los bordes de corte de la cizalla para corte de setos. Use guantes cuando manipule la cuchilla. **No haga funcionar la unidad con una mano.**

- Evite los ambientes peligrosos. No opere nunca su unidad en ambientes húmedos ni mojados. La humedad representa un peligro de descarga eléctrica.
- No use la unidad bajo la lluvia. No la use dentro del agua ni alrededor de ella.
- No toque el enchufe ni la unidad con las manos mojadas ni cuando esté parado sobre una superficie mojada.
- No deje la unidad enchufada mientras no la use, mientras cambie los accesorios o aditamentos, ni mientras le haga mantenimiento.

DURANTE LA OPERACIÓN

- Mantenga retirados a los espectadores, especialmente a los niños y animales domésticos por lo menos a 50 ft (15 m) de distancia.
- Use lentes o gafas de protección que cumplan con las normas ANSI Z87.1-1989, y protección para sus oídos/audición mientras opere esta unidad. Use siempre una máscara facial o para protegerse contra el polvo si la operación levanta polvo.
- Use pantalones largos y gruesos y guantes. No vista ropa holgada, alhajas, pantalones cortos, sandalias ni esté descalzo. Asegure su cabello sobre el nivel de los hombros.
- Use la unidad únicamente con la luz diurna o con buena luz artificial.

- Use la cizalla para corte de setos apropiadamente. Use esta herramienta solamente para el propósito pretendido. Úsela para recortar el tipo de arbusto, crecimiento, etc., descrito en las instrucciones de funcionamiento.
- No esfuerce ni sobrecargue el podador. El podador funcionará de la mejor manera y en forma más segura cuando se maneje dentro de los parámetros bajo los cuales fue diseñado.
- Tenga mucho cuidado cuando retroceda o hale la unidad hacia usted.
- No se estire demasiado, tenga cuidado adicional cuando trabaje en pendientes o inclinaciones. Mantenga la pisada firme y buen equilibrio en todo momento.
- NO se pare sobre una superficie inestable. No la use mientras esté en una escalera.
- Sostenga siempre la unidad con ambas manos durante la operación. Agarre firmemente ambas manijas o mangos anteriores y posteriores.
- Mantenga las manos, cara y pies lejos de todas las piezas que se muevan.



PRECAUCIÓN: Las cuchillas continúan moviéndose después de poner la unidad en la posición de apagado.

- No toque ni intente detener las cuchillas cuando estén en movimiento.
- No opere la unidad a una velocidad mayor que la necesaria para recortar bordes. No opere la unidad a alta velocidad cuando no está recortando bordes.
- Pare siempre la unidad cuando se demora el trabajo o mientras camina entre diferentes zonas de corte.
- Detenga el motor para hacerle mantenimiento, reparaciones, para instalarle o quitarle las cuchillas. Detenga la unidad y las cuchillas deben dejar de moverse para evitar lesiones.
- Póngase gafas resistentes en todo momento cuando manipule, quite, instale o limpie las cuchillas.
- Si golpea algún objeto extraño o se enreda con él, pare el motor inmediatamente y busque daños. Haga arreglar cualquier daño antes de intentar el funcionamiento ulterior.
- Pare la unidad DE INMEDIATO si siente una vibración excesiva. La vibración es señal de que hay problemas. Inspeccione bien si hay tuercas o pernos flojos o daños antes de continuar. Repare o cambie las piezas afectadas según sea necesario.
- Pare y apague la unidad para hacerle mantenimiento, reparación o para cambiarle accesorios.
- Mantenga la cizalla para corte de setos de manera cuidadosa. Mantenga las cuchillas afiladas y limpias en todo momento para que provean el rendimiento más seguro y mejor. Siga las instrucciones de mantenimiento. Use un paño limpio cuando limpie en todo momento. Nunca use aceite de frenos, gasolina, productos a base de petróleo o ningún otro disolvente para limpiar la unidad.
- Use únicamente piezas de repuesto y accesorios Sears genuinos para esta unidad. Se encuentran disponibles en el distribuidor autorizado. El uso de piezas o accesorios que no sean Sears puede ocasionarle lesiones graves al usuario o dañar la unidad y anular la garantía.

OTRAS ADVERTENCIAS DE SEGURIDAD

- Espere que el motor se enfríe antes de guardar o transportar la unidad. Compruebe que la unidad esté segura al transportarla.
- Guarde la unidad bajo llave en un lugar adecuado y seco para evitar que sea usada por personas no autorizadas y se dañe, lejos del alcance de los niños.
- Nunca remoje o chorree la unidad con agua o cualquier otro líquido. Mantenga los mangos secos, limpios y libres de escombros. Limpíela después de cada uso.
- Guarde estas instrucciones. Consúltelas con frecuencia y utilícelas para enseñar a otros usuarios. Si le presta esta unidad a alguien, préstele también estas instrucciones.
- Cualquier reparación o procedimientos de mantenimiento que no estén descritos en este manual deben ser hechos únicamente por personal calificado.
- Consulte siempre las instrucciones del Manual del Operario para que se informe sobre detalles importantes, si va a guardar la unidad durante un período de tiempo prolongado.
- No intente arreglar la máquina a menos que tenga las herramientas apropiadas y las instrucciones para desensamblarla y arreglarla.

GUARDE ESTAS INSTRUCCIONES

NORMAS PARA UNA OPERACIÓN SEGURA



• SIMBOLOS DE SEGURIDAD E INTERNACIONALES •

Este manual del operador describe los símbolos y figuras de seguridad e internacionales que pueden aparecer en este producto. Lea el manual del operador para obtener información completa acerca de la seguridad, ensamble, operación y mantenimiento y reparación.

SIMBOLO SIGNIFICADO

	<p>• SIMBOLO DE ALERTA DE SEGURIDAD</p> <p>Indica peligro, advertencia o precaución. Puede ser utilizado junto con otros símbolos o figuras.</p>
	<p>• LEA EL MANUAL DEL OPERADOR</p> <p>ADVERTENCIA: Lea el manual del operador y siga todas las advertencias e instrucciones de seguridad. De no hacerlo, el operador y/o los espectadores pueden sufrir graves lesiones.</p>
	<p>• SUPERFICIE CALIENTE</p> <p>ADVERTENCIA: No toque una superficie que esté caliente. Puede quemarse. Estas partes se calientan mucho con el uso. Luego de apagarse permanecen calientes durante un corto tiempo.</p>

SIMBOLO SIGNIFICADO

	<p>• USE PROTECCION OCULAR Y AUDITIVA</p> <p>ADVERTENCIA: Los objetos arrojados por la unidad y el ruido fuerte pueden causar graves lesiones oculares y pérdida auditiva. Utilice protección ocular que cumpla con las normas ANSI Z87.1-1989 y protección auditiva cuando opere esta unidad. Use una careta completa cuando la necesite.</p>
	<p>• MANTENGA LAS MANOS LEJOS DE LAS CUCHILLAS. LAS CUCHILLAS EN MOVIMIENTO CAUSAN LESIONES GRAVES.</p> <p>No ponga las manos en las cuchillas cuando ponga el motor en marcha o mientras maneje el accesorio para corte de setos.</p>
<p>Min. 50ft (15m)</p> 	<p>• MANTENGA ALEJADOS A LOS ESPECTADORES</p> <p>ADVERTENCIA: Mantenga retirados a los espectadores, especialmente a los niños y animales domésticos por lo menos a 15 m (50 ft) de distancia.</p>

GARANTÍA

GARANTÍA TOTAL DE CRAFTSMAN

Si este producto Craftsman falla debido a un defecto en el material o en la mano de obra dentro de un período de uno año a partir de la fecha de compra, devuélvalo a cualquier tienda Sears u otro establecimiento de Craftsman en Estados Unidos para que sea reemplazado sin costo alguno.

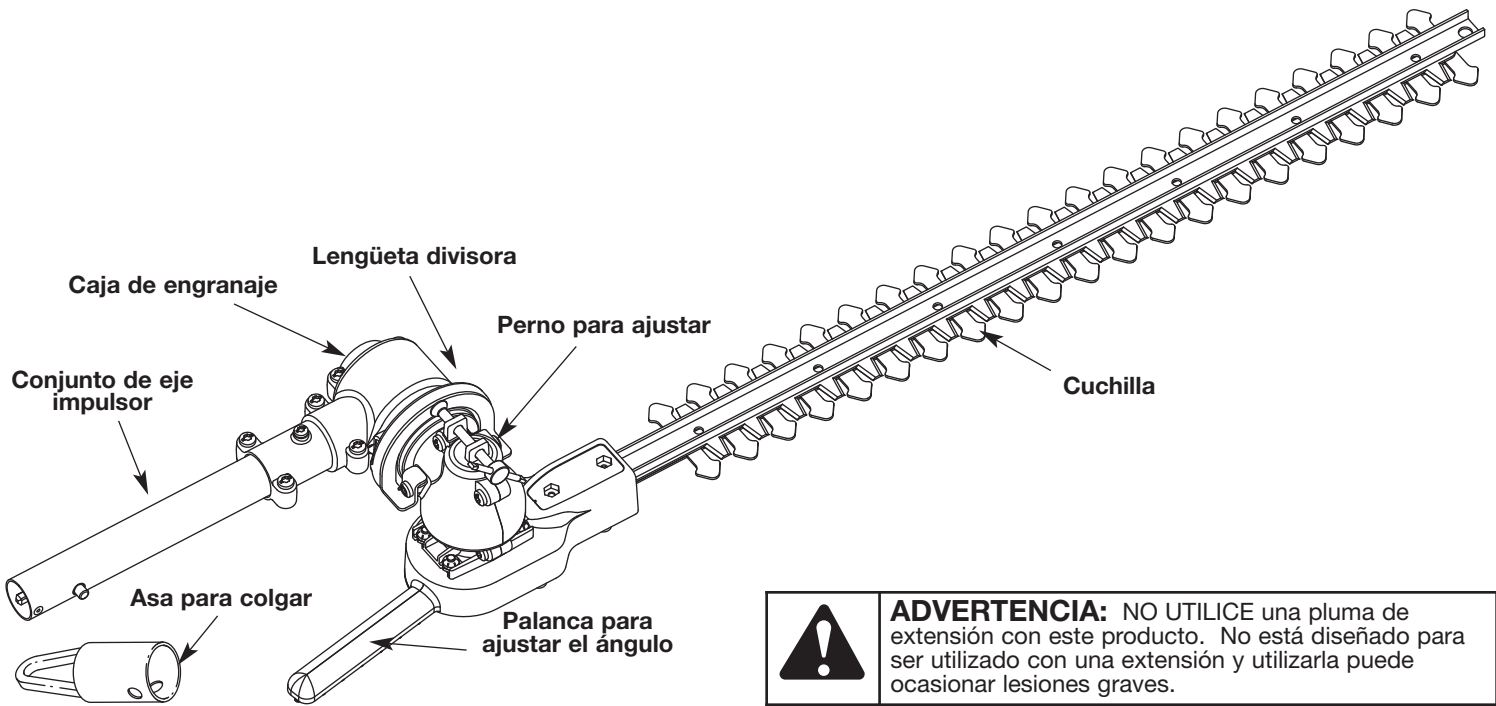
Esta garantía se aplica solamente durante 90 días si este producto en algún momento se utiliza para fines comerciales o de alquiler.

Esta garantía abarca SOLAMENTE los defectos en el material o en la mano de obra. Sears NO pagará:

- Los artículos consumibles que se desgasten debido al uso normal dentro del período de garantía.
- Las reparaciones necesarias debidas a accidente así como por no operar o no mantener el equipo de acuerdo con todas las instrucciones provistas.

Esta garantía le concede a usted derechos legales específicos, y usted pudiera tener otros derechos que varían de un estado a otro.

Sears, Roebuck and Co., Hoffman Estates, IL 60179



ADVERTENCIA: NO UTILICE una pluma de extensión con este producto. No está diseñado para ser utilizado con una extensión y utilizarla puede ocasionar lesiones graves.

INSTRUCCIONES DE ENSAMBLE

INSTALACIÓN / REMOCIÓN DEL ACOPLADOR

ADVERTENCIA: Lea y comprenda el manual del operador de los accesorios antes de su operación.

ADVERTENCIA: Para evitar graves lesiones personales, apague la unidad antes de sacar o instalar accesorios.

Instalación del accesorio

NOTA: Para facilitar la instalación o remoción de los accesorios, ponga la unidad sobre el suelo o sobre un banco de trabajo.

1. Quite el colgador de encima de la cubierta del eje.
2. Apriete el botón girándolo hacia la derecha (Fig. 1).

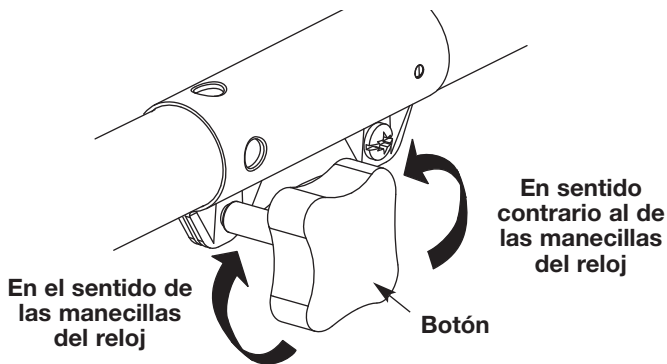


Fig. 1

3. Mientras sostiene el accesorio con firmeza, empújelo en línea recta en el acoplador (Fig. 2).

NOTA: La alineación del botón de desconexión con la guía ayuda en la instalación (Fig. 3).

PRECAUCIÓN: Trabe el botón de desconexión en el orificio primario (Fig. 2) y ajuste bien la perilla antes de operar esta unidad.

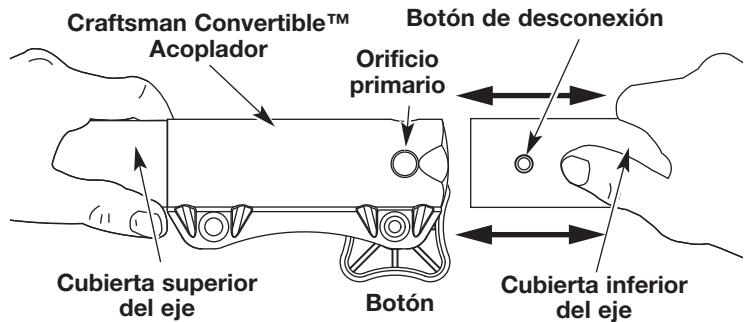


Fig. 2

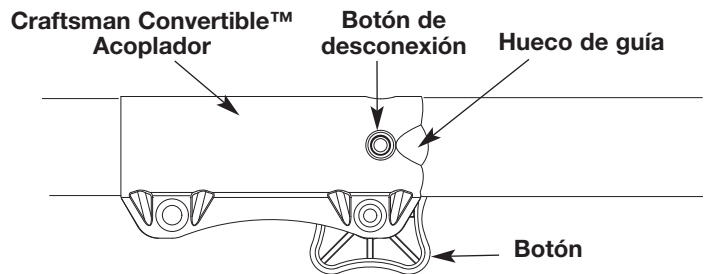


Fig. 3

4. Apriete el botón girándolo hacia la derecha (Fig. 1).

PRECAUCIÓN: Los accesorios deben ser usados en el orificio primario. El usar el orificio incorrecto puede conducir a lesiones personales o daño de la unidad.

INSTRUCCIONES DE ENSAMBLE

Remoción del accesorio

1. Para aflojarlo, gire el botón en el sentido opuesto al de las manecillas del reloj (Fig. 1).
2. Oprima y sostenga oprimido el botón de liberación (Fig. 2).
3. Mientras sostiene con firmeza el bastidor del eje superior, tire del accesorio hacia afuera del acoplador (Fig. 2).

Inspeccione el acoplamiento del eje acodado antes de usar la unidad

1. Arranque la unidad.
2. Enganche y suelte el gatillo brevemente.
3. Verifique que el accesorio esté funcionando.
4. Si el accesorio no está funcionando, retire el accesorio y repita los pasos para su instalación.
5. Vuelva a verificar el funcionamiento del accesorio.

INSTRUCCIONES DE ENSAMBLE

PREPARACIÓN PARA EL FUNCIONAMIENTO



ADVERTENCIA: Vista en forma adecuada para reducir el riesgo de lesiones cuando opere esta unidad. No use ropa holgada ni alhajas. Use protección ocular y auditiva. Use pantalones largos y gruesos, botas y guantes. No use pantalones cortos, sandalias ni trabaje descalzo.



ADVERTENCIA: Cerciórese de que la unidad esté apagada antes de ajustar el ángulo de recorte.

Ajuste el ángulo del recortador para adaptarse al área que usted esté recortando; ajuste el ángulo de la cuchilla según la situación. Ajuste la cuchilla como se indica a continuación:

1. Sujete el perno de ajuste (Fig. 4) y hágalo girar hacia la izquierda para destornillar el perno del orificio en el anillo divisor.

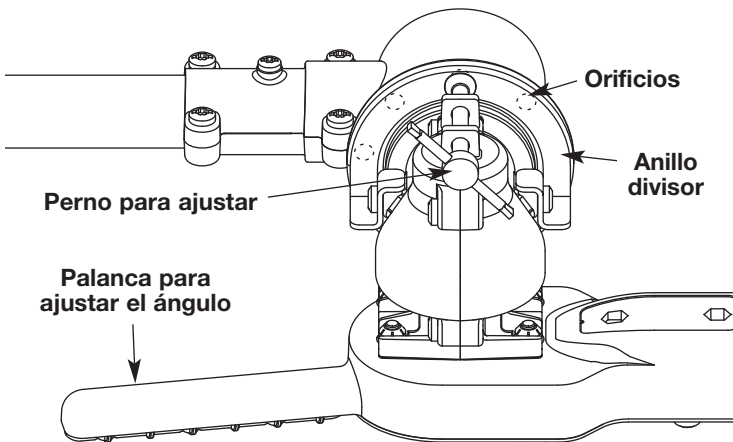


Fig. 4

2. Haga girar la cuchilla hacia la posición deseada utilizando el sostenedor de ajuste del ángulo.
3. Alinee el perno de ajuste con el orificio correspondiente en el anillo divisor.
4. Atornille el perno en el orificio divisor girándolo hacia la derecha hasta que quede apretado con la mano para fijar la cuchilla. **NO APRIETE DE MAS.**



ADVERTENCIA: Antes de cada uso, y de manera periódica cuando se use, asegúrese de que el perno de ajuste esté correctamente apretado.



ADVERTENCIA: Si opera la unidad en un declive, permanecer abajo del aditamento de cortado. **NO OPERAR** en declive o en una pendiente empinada si existe la mínima posibilidad de resbalarse o perder el equilibrio.



ADVERTENCIA: Si falta alguna pieza, si hay piezas dañadas o quebradas, no haga funcionar la cizalla hasta que las cambie. El no hacerlo podría ocasionar lesiones corporales graves.



ADVERTENCIA: Mantenga las manos y los dedos lejos de piezas en movimiento. Cualquier parte del cuerpo que haga contacto con las piezas en movimiento podría ocasionarle lesiones graves.



PELIGRO: Si la cuchilla se atasca en cualquier cable eléctrico, ¡NO TOQUE LA CUCHILLA! PUEDE SER CONDUCTORA DE ELECTRICIDAD Y SER MUY PELIGROSO. Suelte la unidad de la manera más segura posible y apague la electricidad.

CONSEJOS ÚTILES PARA EL FUNCIONAMIENTO

- Cortado de setos: Un movimiento amplio, alimentando los dientes de las cuchillas de pequeñas ramas es lo más efectivo. Un pequeño ángulo hacia abajo en las cuchillas en la dirección del movimiento genera un mejor corte.
- Póngase guantes cuando corte arbustos espinosos o con púas. Cuando corte crecimientos nuevos, aplique un movimiento de recorrido amplio de manera que las ramas entren directamente en la cuchilla. El crecimiento más viejo tiene tallos más gruesos y éstos se cortan con mayor facilidad al aplicar un movimiento de aserrado.
- No intente cortar tallos que tengan más de 11 mm (7/16 pulg) de grosor. Use una sierra manual o sierra de poda para recortar los tallos gruesos.
- Si lo desea, puede usar una cuerda para que ayude en el corte nivelado. Decida cómo quiere hacer el corte. Luego, estire un pedazo de cuerda a lo largo del cerco a esa altura. Haga el corte justo por encima del nivel de la cuerda. Corte el borde de manera que sea ligeramente más angosto en la parte superior. Así expone más parte del cerco cuando le da esa forma y es más uniforme (Fig. 5).
- Cortes laterales: Mantenga su herramienta como se ve en la ilustración, y comience en la parte inferior moviendo su máquina de abajo hacia arriba.

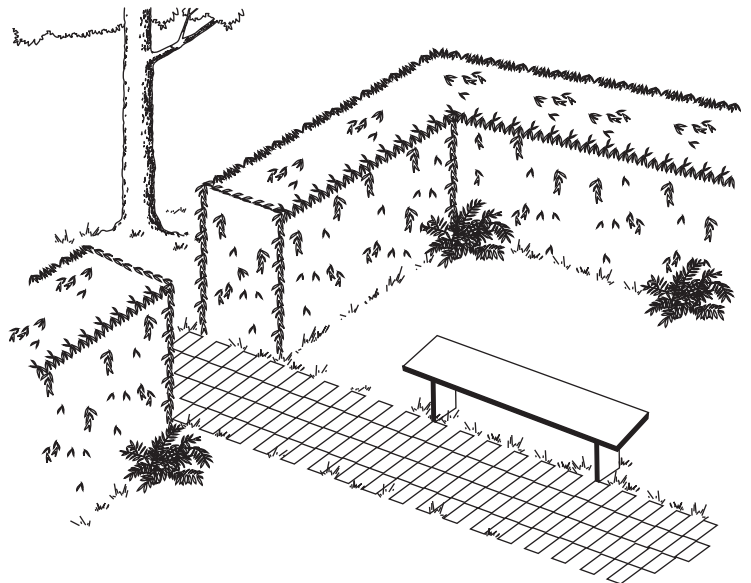


Fig. 5

INSTRUCCIONES DE MANTENIMIENTO Y REPARACIÓN

LUBRICACIÓN DE LA CUCHILLA



ADVERTENCIA: Antes de mantenimiento, asegúrese que su cortador de setos está desconectado de la corriente eléctrica. Falla en este procedimiento podría causar que se encendiera su unidad accidentalmente, causando serias lastimaduras personales.

1. Para que la cuchilla funcione más fácil y dure más, lubríquela antes y después de cada uso. Compruebe que el interruptor del cabezal esté apagado (OFF) antes de lubricarla. Aplíquelo aceite liviano para máquinas a lo largo del borde de la correa superior (Fig. 6).

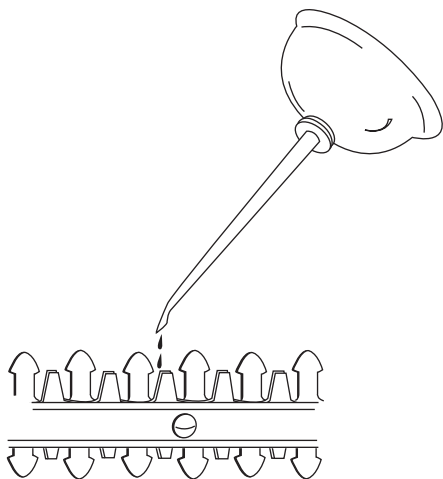


Fig. 6

2. Usted debe aceitar ocasionalmente el accesorio de la cizalla durante el uso. Antes de aceitarlo, pare la cizalla y acéitelo. Puede continuar con el corte después de hacerlo. No lo aceite mientras el accesorio de la cizalla está funcionando.

OTRO MANTENIMIENTO

1. Las cuchillas de corte están fabricadas de acero endurecido de alta calidad y con el uso normal no requerirán de afilado. Mas sin embargo si accidentalmente usted toca o golpea una roca, un cable, vidrio, o cualquier otro objeto duro, pudiera mellar la cuchilla, no hay necesidad de remover la melladura de la cuchilla si esta no interfiere con el movimiento natural de corte. En caso que si interfiera la melladura, apague la unidad y con una lima plana lime la melladura hasta que vea que no interferirá con el movimiento de esta.
2. Si deja caer accidentalmente su unidad, inspecciónela cuidadosamente. Si las cuchillas se doblaron, si la carcasa se rompió, si el maneral se rompió o si usted ve algún otro desperfecto, lleve la unidad a un Sears o a otro proveedor de servicio calificado para que se la repare antes que usted pretenda encender otra vez su herramienta.
3. Fertilizantes y otros químicos usados en el jardín contienen agentes que aceleran el proceso de corrosión de metales. No almacene su herramienta en lugares donde pudiera tener contacto su herramienta a estos materiales.
4. Con la unidad apagada (y la bujía desconectada), use jabón de manos y un trapo húmedo para limpiar su herramienta. No permita que ningún líquido se introduzca dentro de su máquina, nunca meta partes de su herramienta en líquidos.

NOTA: Para asegurar la SEGURIDAD y FUNCIONAMIENTO, reparaciones, mantenimiento y ajustes deberán ser realizados por un Sears o a otro proveedor de servicio calificado usando partes originales e idénticas.

ESPECIFICACIONES

Peso de la unidad (Sólo el accesorio)..... 2,3 kg (5,11 libras)
Longitud de la cuchilla..... 558.8 mm (22 pulg)

¿NECESITA MÁS AYUDA?

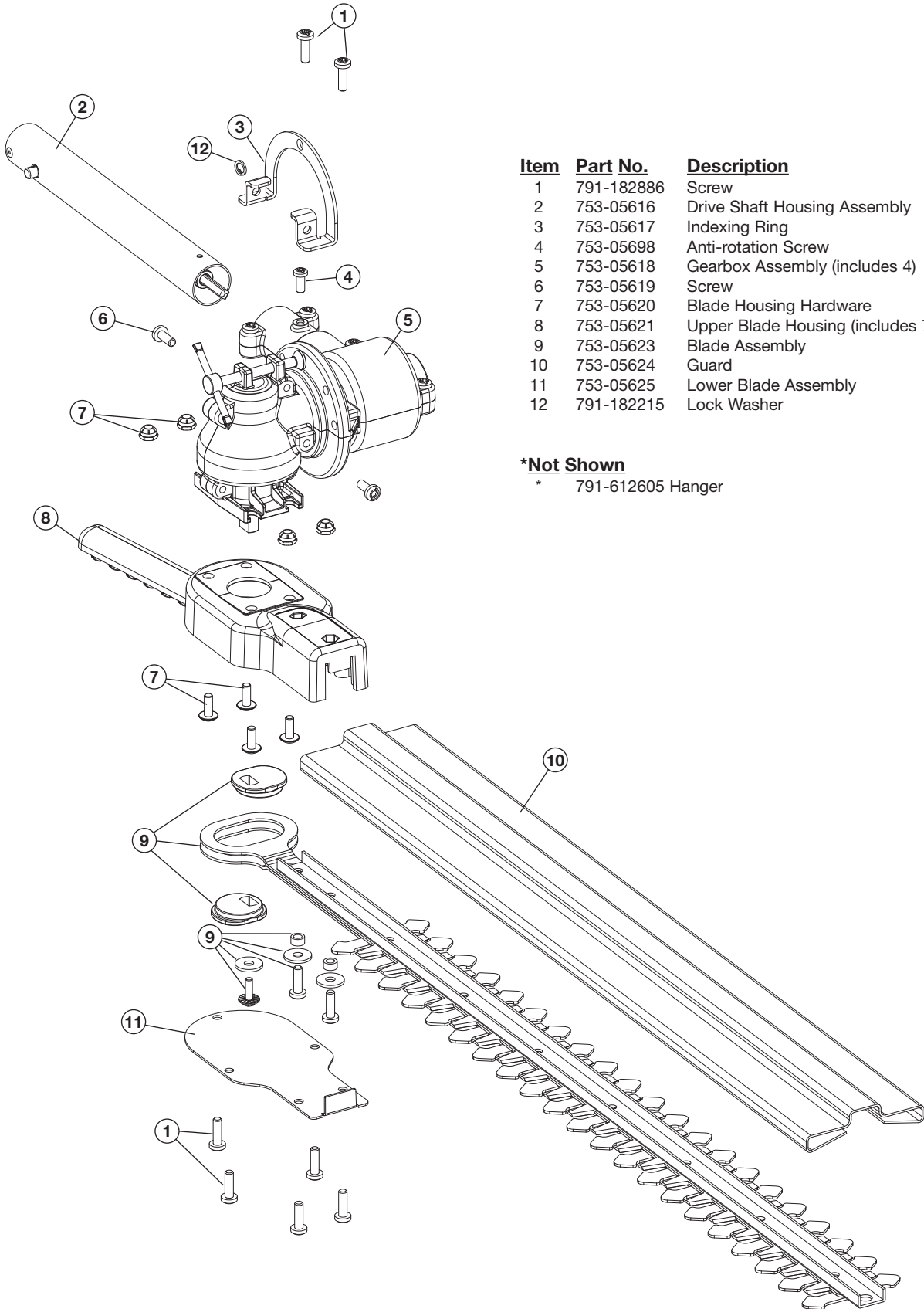
Encontrará la respuesta y mucho más en managemyhome.com – gratis!

- Busque este y todos sus demás manuales de productos en línea.
- Obtenga respuestas de nuestros expertos en productos para el hogar.
- Reciba un plan de mantenimiento personalizado para su hogar.
- Encuentre la información y las herramientas que le ayudarán en sus proyectos para su hogar.

manage my home
presentado por Sears

PARTS LIST

REPLACEMENT PARTS - MODEL 316.792490
HEDGE TRIMMER ATTACHMENT



Item	Part No.	Description
1	791-182886	Screw
2	753-05616	Drive Shaft Housing Assembly
3	753-05617	Indexing Ring
4	753-05698	Anti-rotation Screw
5	753-05618	Gearbox Assembly (includes 4)
6	753-05619	Screw
7	753-05620	Blade Housing Hardware
8	753-05621	Upper Blade Housing (includes 7)
9	753-05623	Blade Assembly
10	753-05624	Guard
11	753-05625	Lower Blade Assembly
12	791-182215	Lock Washer

***Not Shown**

* 791-612605 Hanger

Get it fixed, at your home or ours!

Your Home

For expert troubleshooting and home solutions advice:

manage my home

www.managemyhome.com

For repair – **in your home** – of **all** major brand appliances, lawn and garden equipment, or heating and cooling systems, **no matter who made it, no matter who sold it!**

For the replacement parts, accessories and owner's manuals that you need to do-it-yourself.

For Sears professional installation of home appliances and items like garage door openers and water heaters.

1-800-4-MY-HOME[®] (1-800-469-4663)

Call anytime, day or night (U.S.A. and Canada)

www.sears.com www.sears.ca

Our Home

For repair of carry-in items like vacuums, lawn equipment, and electronics, call anytime for the location of your nearest

Sears Parts & Repair Service Center

1-800-488-1222 (U.S.A.) **1-800-469-4663** (Canada)

www.sears.com

www.sears.ca

To purchase a protection agreement on a product serviced by Sears:

1-800-827-6655 (U.S.A.)

1-800-361-6665 (Canada)

Para pedir servicio de reparación a domicilio, y para ordenar piezas:

1-888-SU-HOGAR[®]

(1-888-784-6427)

Au Canada pour service en français:

1-800-LE-FOYER^{MC}

(1-800-533-6937)

www.sears.ca

Sears

® Registered Trademark / TM Trademark / SM Service Mark of Sears Brands, LLC

® Marca Registrada / TM Marca de Fábrica / SM Marca de Servicio de Sears Brands, LLC

^{MC} Marque de commerce / ^{MD} Marque déposée de Sears Brands, LLC

© Sears Brands, LLC